

RECLINE

Inclinometer Sensor Element (SEL30)

RECLINE: REmote inCLINEnometer system

Datasheet Version 1.3

January 2017

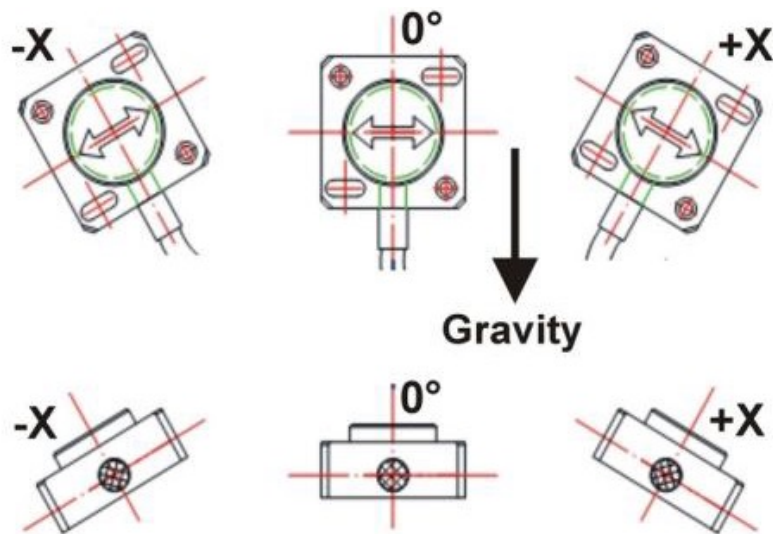


Single Input Display (SEL30):

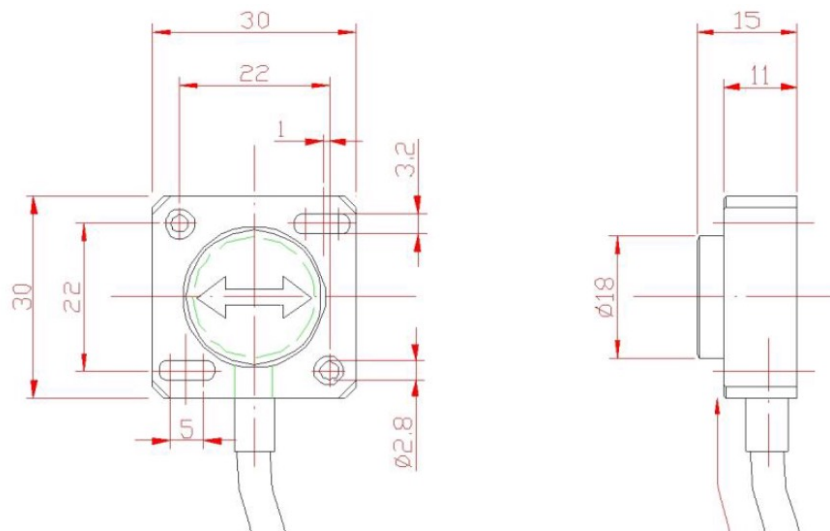
| | |
|--------------------------|--|
| Accuracy: | Overall 0.6° typical - excluding offset |
| Offset Error: | ±1° Typ, 2.5° Max |
| Non Linearity: | ±0.2° |
| Sensitivity Error: | ±2.5% |
| Resolution at Zero: | 0.03° |
| Temperature Effect: | ± 0,01°/°C |
| Sensor Range: | ±30°, one axis, vertical or horizontal mounting ¹ |
| Frequency Response: | (-3dB) 0 - 10 Hz (±2.5 Hz) |
| Calibration: | No |
| Frequency Response: | (-3dB) 0 - 10 Hz (±2.5 Hz) |
| Output | 4 - 20 mA Current Loop |
| Output Load | Rload ≥ (50*Vs -300) (Ω) |
| Short Circuit Protection | Yes (max 10 s) |
| Response Time | < 16 ms |
| Max Mechanical Shock: | 3.500g |
| Mounting: | Two (2) x M3 x 16 mm screws ² |
| Connector: | XLR3, XLR5 or RJ45 etherCON ³ |
| Housing: | PBTP black |
| Dimensions: | 30x30x15 mm |

| | |
|----------------------------------|--------------------|
| Protection: | IP67 |
| Humidity: | 0 - 100% RH |
| Weight: | 15 gr (excl cable) |
| Power Requirements: | 10 - 30 VDC |
| Polarity protection: | Yes |
| Current Consumption: | ≤ 30 mA |
| Operating / Storage Temperature: | -25 to +85°C |

Sensor Operation:



Sensor Dimensions:



¹ As standard, other ranges available on request, ² See ISO 261 for clarification, ³ RJ45 etherCON via adaptor cable from XLR